

ALPHA AWNING SERIES



ALPHA AWNING SERIES

Overview

Australia leads the world in awning design, due to our perfect climate which allows us to live and entertain outdoors.

The Alpha Awnings Series has been designed by Australians, specifically for our lifestyles, ensuring design, styling and quality were top of mind. The modern awning series is suited to all exterior buildings.

Featuring 5 matching awning styles, including **Cable Guide, Straight Drop, Side Retention System, Pivot Arm and Deep Channel**, you can personalise the perfect awning to suit your external shading requirements in **5 easy steps**.



Deep Channel

Creates complete privacy and eliminates any light gaps, with the function of multiple lock off location at various heights.



Side Retention System

Ideal for high wind areas. Completely enclosing an outside area, with no gaps for dust and dirt to enter.



Pivot Arm

Perfect for outward opening windows, to circulate air flow and reduce direct sunlight into the home.

Step 1

Step 2

Step 3

Step 4

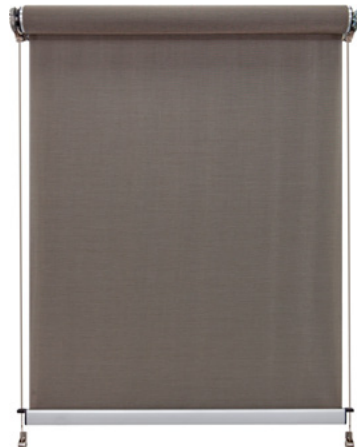
Step 5

Awning Style



Straight Drop

Sleek and simple with a modern aesthetic, suitable for the traditional window frames.



Cable Guide

The ultimate industrial look which gives you privacy and allows ventilation.



Step 1

Step 2

Step 3

Step 4

Step 5

Head Box Options



Closed Headbox

Keeps the fabric clean and enhances longevity.



Open Headbox

Increased air circulation around the roller minimising heat build up for PVC skins.



Open Roller

A modern industrial look and is the ideal choice to reduce costs.

ALPHA AWNING SERIES Overview

Mix and match the awning styles and you can still maintain commonality of appearance and design on your home.

Step 1

Step 2

Step 3

Step 4

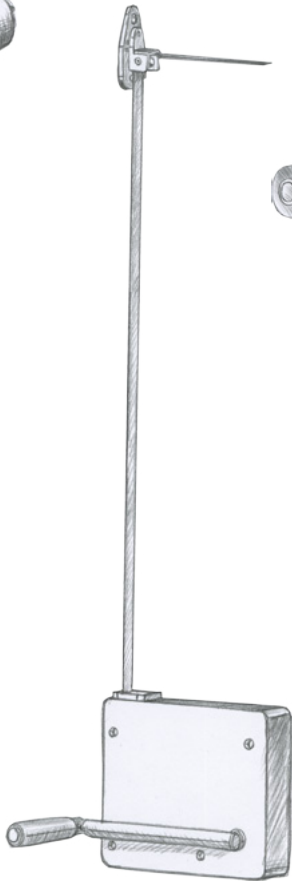
Step 5

Operating Options

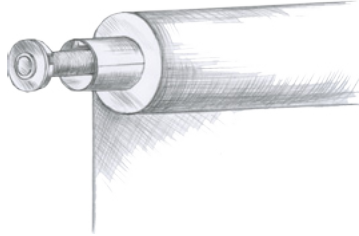
a. Manual Crank



b. Internal Cord Winch



c. Spring Operation



d. Motorisation



Step 1

Step 2

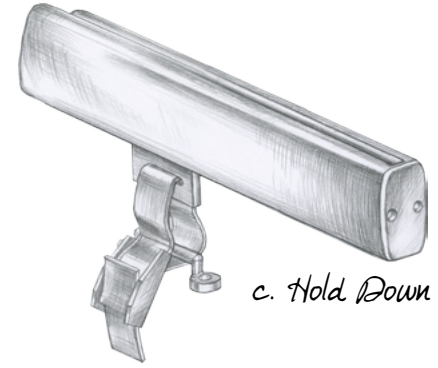
Step 3

Step 4

Step 5

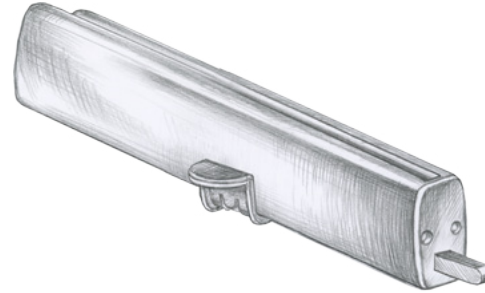
Accessories

a. Weight Bar



c. Hold Down Strap

b. Locking Bolt



d. Pile Brush and Valance

Step 1

Step 2

Step 3

Step 4

Step 5

Fabric

a. Mesh

b. Canvas

c. Clear PVC

d. Acrylic



ALPHA AWNING STRAIGHT DROP

Everview External Screen Fabric

Features 22 colours. The versatile 2x2 weave construction provides a great symmetrical finish and has an additional key functional benefit of being able to railroad the fabric. Image features the fabric colour Motive.

Bottom Rail End Caps

Provide a neat, clean finish for the drop awning giving it a complete, premium look.

Open Roller

A modern industrial look is offered by exposing the componentry. By eliminating the aluminium headbox profiles, the price is significantly reduced.

Straight Drop best suited for...

- Sun/UV protection
- Air flow

Hold Down Straps

Can be used to hold down the awning at various points across the bottom rail and assists in minimising bottom rail movement in stronger winds.



ALPHA AWNING SERIES

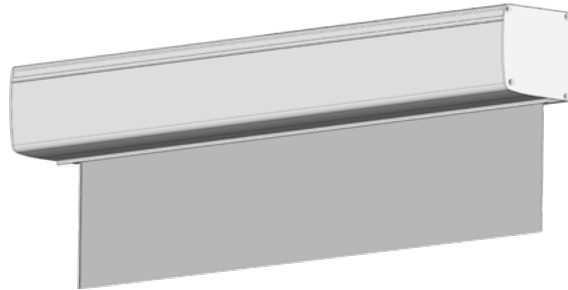
Headbox Options

Step 2: Head Box Option

For a modern contemporary look, the Alpha Awning Series offers two designer headbox options, as well as an open roller option.

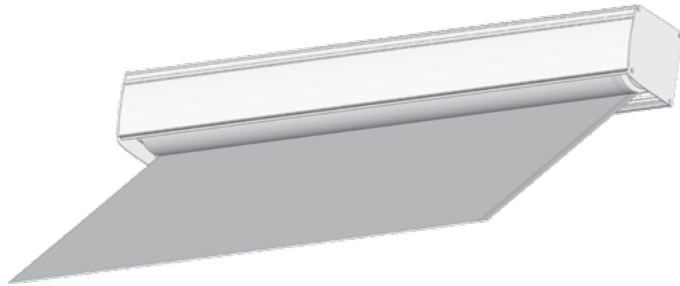
Closed Headbox

Encapsulates the fabric from external elements such as rain, UV and, fragments, which assists in keeping the fabric clean and enhances longevity.



Open Headbox

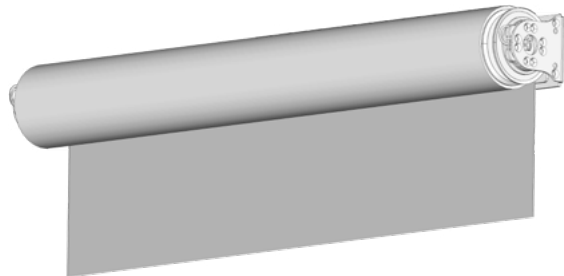
Offers increased air circulation around the roller thereby minimising heat build up and reduced sticking on clear PVC skins.



Open headbox is ideal for the Pivot Arm Awning but can also be used in front rolled Cable Guide and Straight Drop Awnings.

Open Roller

A modern industrial look is offered by exposing the operation componentry. By eliminating the aluminium headbox profiles, the price is significantly reduced making it the ideal choice to reduce cost.



ALPHA AWNING CABLE GUIDE

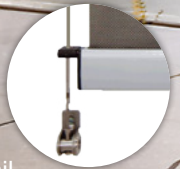


Cable Guide best suited for...

- Sun/UV protection
- Air flow
- Cables are high tensile 2.5mm 316 grade marine stainless steel, making them perfect for coastal applications.

Bottom Rail End Caps

By floating in and out of the bottom rail the awning operates smoothly without putting pressure on the cable.



ALPHA AWNING PIVOT ARM OPEN



Open Headbox

Increases air circulation around the roller. This minimises heat build up and reduces sticking on clear PVC skins.

Open headbox is ideal for the Pivot Arm Awning.
(Can also be used in front rolled Cable Guide and Straight Drop Awnings.)

Front Rail

Designed to have the same curve as the Straight Drop bottom rail.

This creates flexibility in being able to mix and match the awnings throughout your home as it holds the design consistency.

Pivot Arm Feature...

Fabric is projected off the window which allows air to flow behind the Awning. Windows can be open whilst the Awning is projected.



Heavy Duty Pivot Arm

The heavy duty spring in the Pivot Arm provides excellent fabric tension, even with awning widths up to 5 metres. The arms are a modern anodised finish that complements the standard Silver Pearl hardware colour. Custom powder coated colours are also available.

ALPHA AWNING PIVOT ARM CLOSED

ALPHA AWNING SIDE RETENTION SYSTEM (SRS)

SRS best suited for...

- Sun/UV protection
- Insect resistance
- Windy applications
- Enclosing a balcony plus creating privacy
- Light and heat control

Benefits...

The fabric is tensioned by utilising a floating channel, located within the special two piece side channel, eliminating the possibility of fabric "blow outs" or light gaps.

As the fabric is held between the left and right channels, this system is ideal for enclosing courtyards, patios or balconies, essentially adding an extra room to the home.



Side Channel

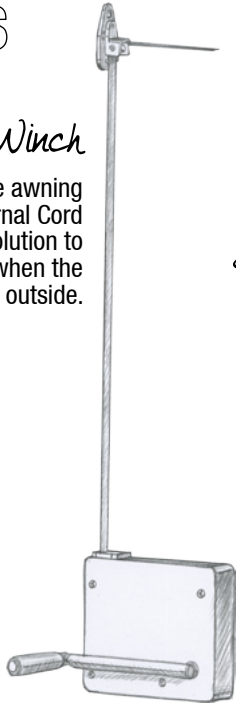
Access to the internal floating channel and fabric is made easy thanks to the two piece side channel. The front channel simply snaps over the installation channel to provide a neat, clean finish, the front channel can also be disconnected.

ALPHA AWNING SERIES

Operating Options

Internal Cord Winch

Prefer to operate the awning from inside? The Internal Cord Winch is the perfect solution to bring your awning in when the weather is not ideal outside.



Manual Crank

- The geared crank ensures easy operation that is not dependent on your strength.
- Available in a selection of Black, Grey and White for improved colour co-ordination.
- The geared crank handles are available in: 800mm, 1200mm, 1600mm, 2000mm and 2400mm lengths to suit any awnings height.



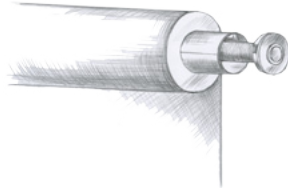
Step 3: Operating Option

The Alpha Awning Series has been developed to offer maximum flexibility for operation, you have the choice of the following:

- Manual Crank
- Motorisation
- Internal Cord Winch
- Spring Operation

Spring Operation

The ultimate control that allows you to manually adjust the height of the awning and secure using either the sliding bolt system or hold down clip option.



Motorisation

Control your awning with a touch of a button with motorisation. The Alpha Awning Series can be used with the latest Automatic Tensioning Motors that permit awnings to be locked in position (with strap or sliding bolt) and tensioned. This maintains tension on the fabric minimising fabric "blow outs" traditionally caused by unexpected high winds.



ALPHA AWNING SERIES

Accessories

Weight Bar

The heavy duty bottom rail has been designed to offer an additional weight bar, this is beneficial for smaller awnings that require additional weight to reduce bottom rail bounce and increase fabric tension.



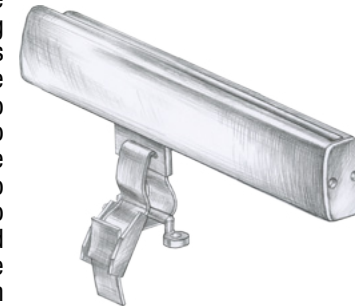
Locking Bolt

The locking bolt secures the awning into the universal floor mount bracket or breeching staple.



Hold Down Strap

Hold down straps can be used to hold the awning down at various points across the width of the awning. This option also offers a traditional no guide system where the awning is simply locked into place via straps. Similar to the locking bolts, the hold down clips also insert inside the bottom rail for a clean bottom rail finish.



Step 4: Accessories

The Alpha Awning Series Bottom Rail offers versatility for holding the fabric taut and minimising any movement in windy situations. Not only does it consist of a variety of features, it maintains a subtle modern design curve which seamlessly blends with the headbox aesthetics.

Pile Brush and Valance

As experienced in a number of Australian homes, the floor surface is often not perfectly level. Therefore when an awning is installed over a wide width there will be room for: light gaps, insects, debris, wind and rain to enter your courtyard or home.



With the ability to insert either pile brush or a fabric valance, this gap can be eliminated therefore maximising the functionality of the awning.

In addition to the protection offered by these inserts they also protect the bottom rail from chipping if dropped to the ground quickly, as well as changing the overall look of the awning based on the valance style chosen.

ALPHA AWNING SERIES

Fabric

Air flow

Clear PVC is great for unrestricted view through and when air flow is not an option.

If you are enclosing a verandah or patio, consider if you still want to have a nice cool breeze coming through.

If this is required, ensure you select an open weave fabric with around 10% openness.

Privacy and view through

There are open and closed weave awning fabrics. Consider if you want day or night time privacy.

An open weave fabric in a dark colour gives fantastic view through in the day, but also allows others to see in at night.

Step 5: Fabric

There are numerous choices of awning fabric on the market, when selecting your fabric keep the following in mind.

Everview External Screen Fabric

ALPHA AWNING SERIES

Fabric

Durability

Be mindful that when a fabric is used outdoors it is exposed to the elements.

Fabrics with DURAGUARD® Fabric Protection keeps odours away, protects against the development of bacteria, resists stains and stops mildew and fungi build up.

Colour fastness

Ensure the fabric you choose has excellent fade resistance to the sun.

Any fabric with fade resistance result of 6 and above is repletable and will ensure your fabric remains the colour you selected for many years to come.

Step 5: Fabric

There are numerous choices of awning fabric on the market, when selecting your fabric keep the following in mind.

Awning Canvas Fabric

Contact us...